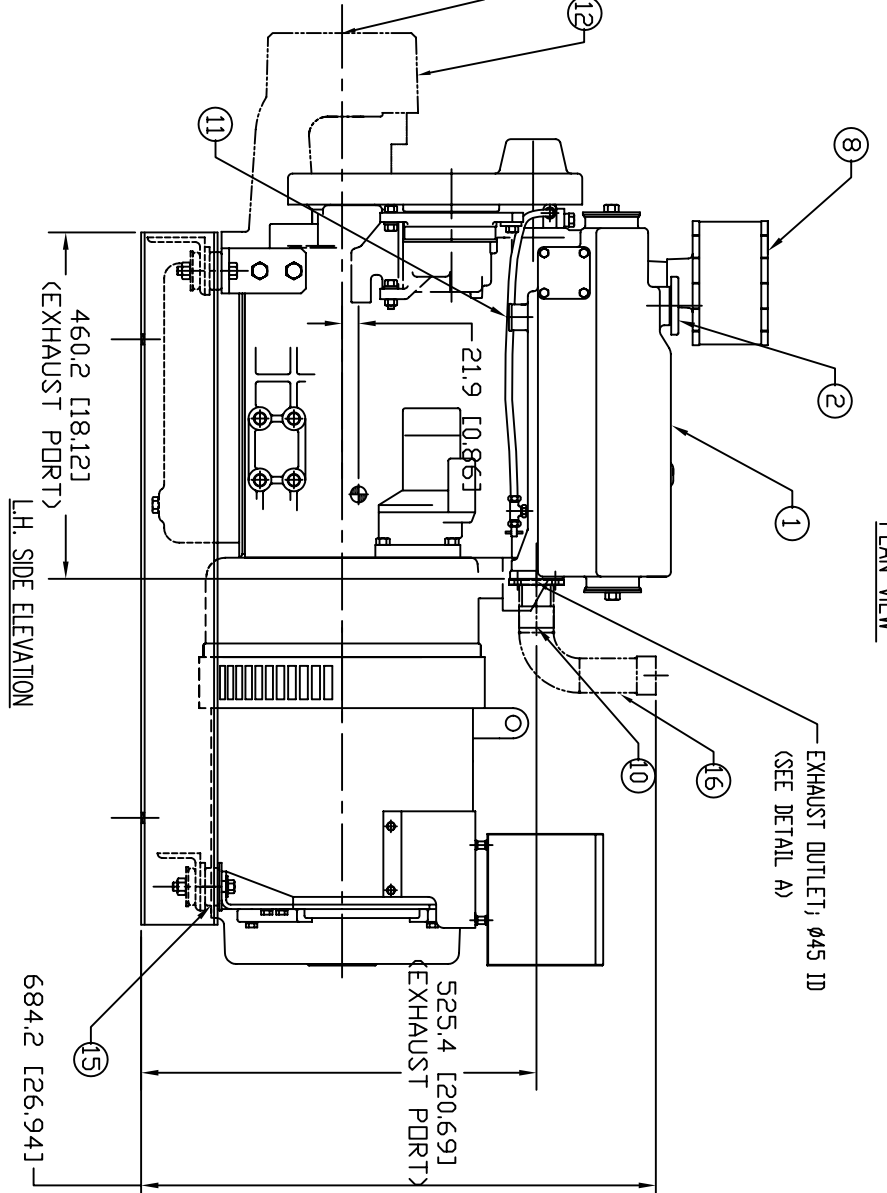
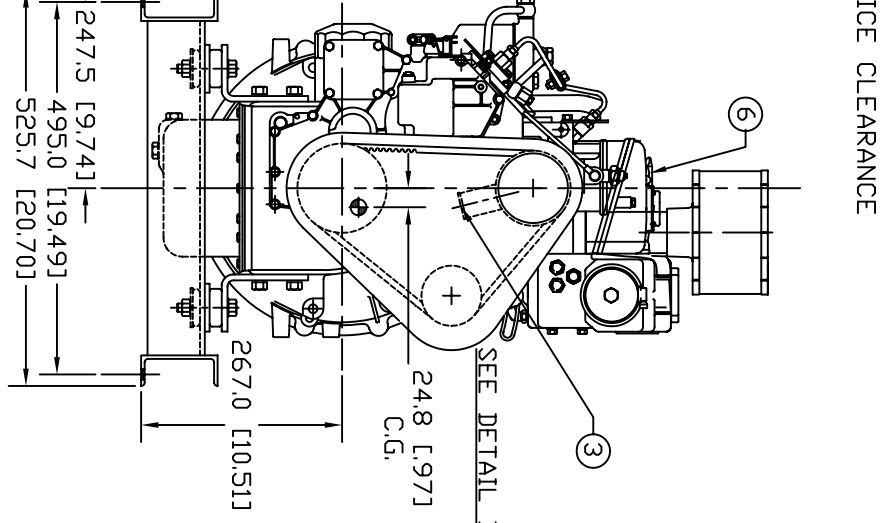
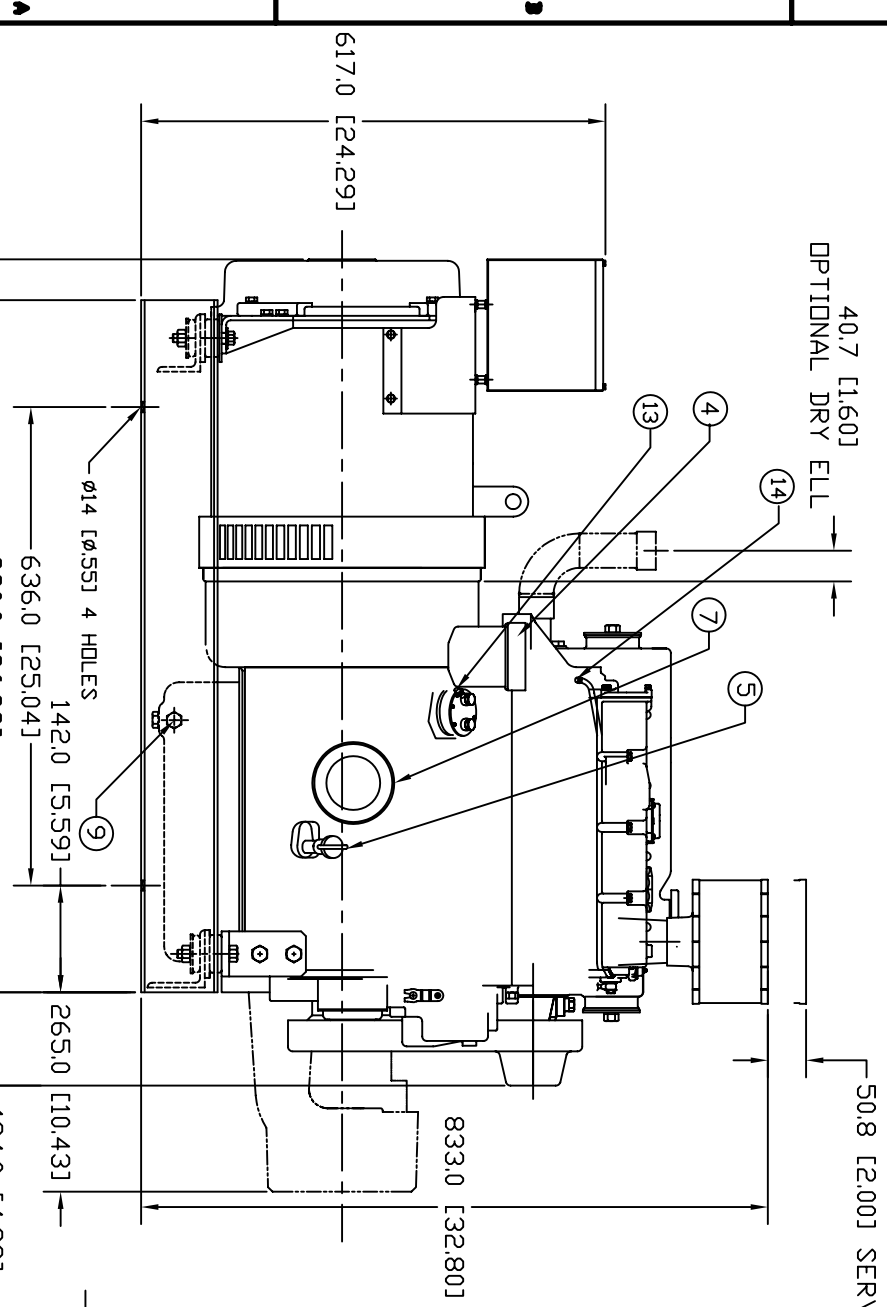
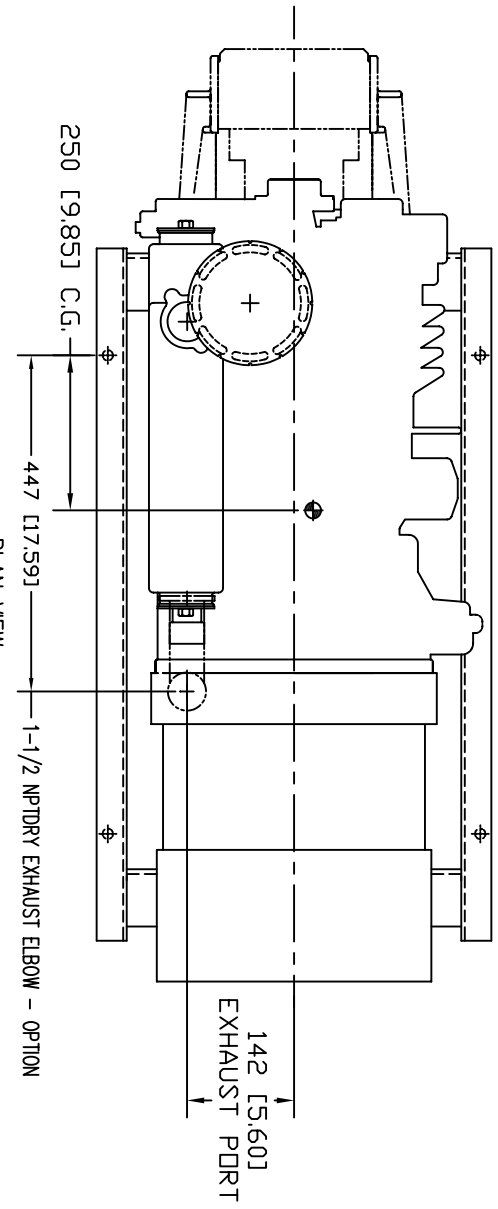
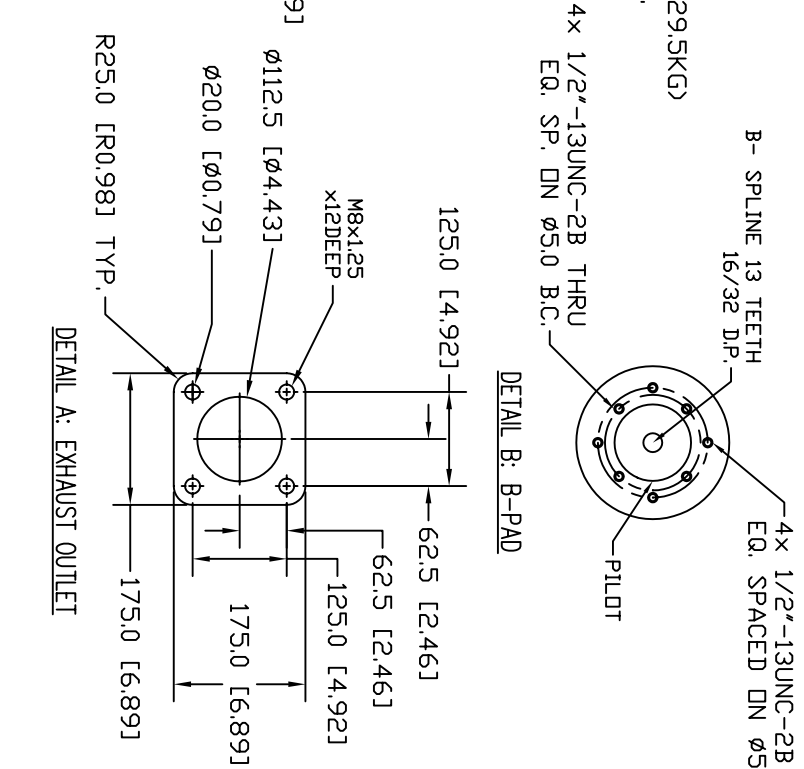
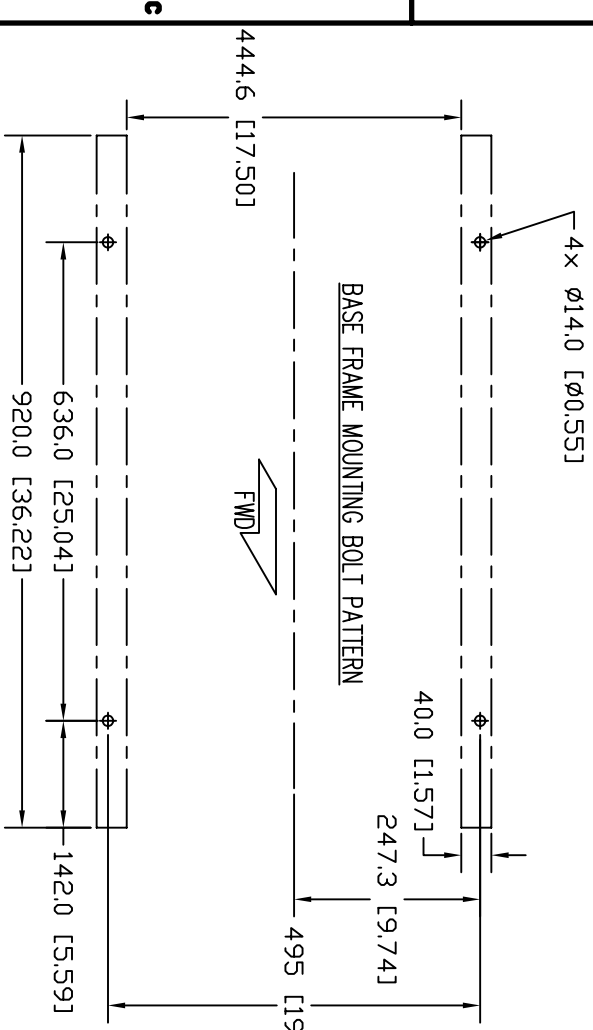


MODEL	MAXIMUM HYD. PUMP WT.: 43 Kg (95 lbs.)
M20CR2 (844L\PX320C) 20kW 3Ø 60Hz 1800RPM	MAXIMUM PTD TORQUE: 12.1 Kgm (87 Ft. lbs.)
M20CR2 (844L\PX320C) 20kW 1Ø 60Hz 1800RPM	
M20CR2 (844L\PX320C) 16kW 3Ø 50Hz 1500RPM	
M20CR2 (844L\PX320C) 16kW 1Ø 50Hz 1500RPM	

- NOTE:
- 1) CENTER OF GRAVITY DOES NOT INCLUDE PTD/CLUTCH ASSEMBLY
 - 2) PTD ADAPTER/CLUTCH ASSEMBLY (ONLY) WEIGHS APPROX. 65LBS (29.5KG)
 - 3) CUSTOMER MUST RECALCULATE C.G. FOR ADDITION OF WATER PUMP.

LEGEND	
ITEM	DESCRIPTION
1	EXPANSION TANK
2	COOLANT FILL
3	RAW WATER INLET (Ø28 O.D.)
4	FUEL FILTER
5	CRANKCASE OIL DIPSTICK
6	CRANKCASE OIL FILLER
7	CRANKCASE OIL FILTER
8	INTAKE AIR FILTER
9	ENGINE OIL DRAIN
10	DRY EXHAUST STUB (1-1/2" NPT) - STANDARD
11	Ø34 RAW WATER OUTLET (DRY EXHAUST)
12	PTD/CLUTCH STD MFG FACE, SAE J744C, 2 OR 4 BOLT
13	FUEL INLET: 1/20-20 UNF
14	FUEL RETURN: 7/16-20 UNF
15	CENTERBONDED MOUNT
16	DRY EXHAUST ELBOW (1-1/2" NPT) - OPTIONAL



THE DIMENSIONS ON THIS DRAWING ARE SUBJECT TO CHANGE. PLEASE CONTACT NORTHERN LIGHTS TO BE SURE YOU HAVE THE MOST CURRENT REVISION.



APPROX. DRY WEIGHT: 405kg (893lbs)

NO.	DATE	BY	CHKD.	DESCRIPTION
1	06/20/08	WJ	WJ	ISSUE FOR PRODUCTION

TITLE: INSTALLATION DIMENSIONS
 SCALE: 1/8" = 1"
 SHEETS: 1 OF 1
 D-4116