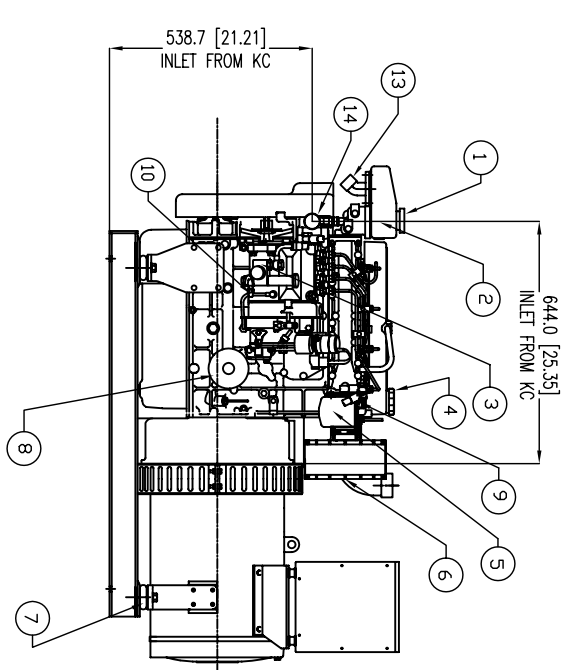
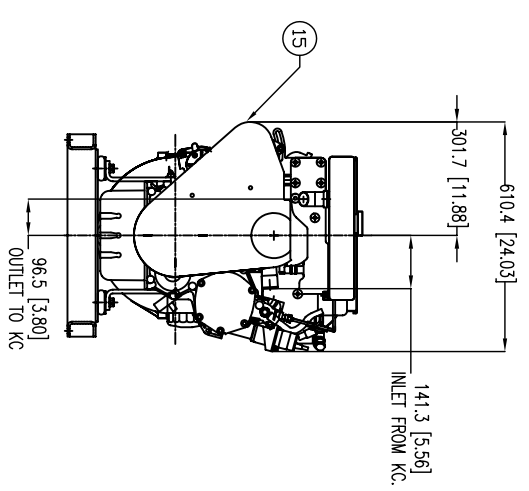
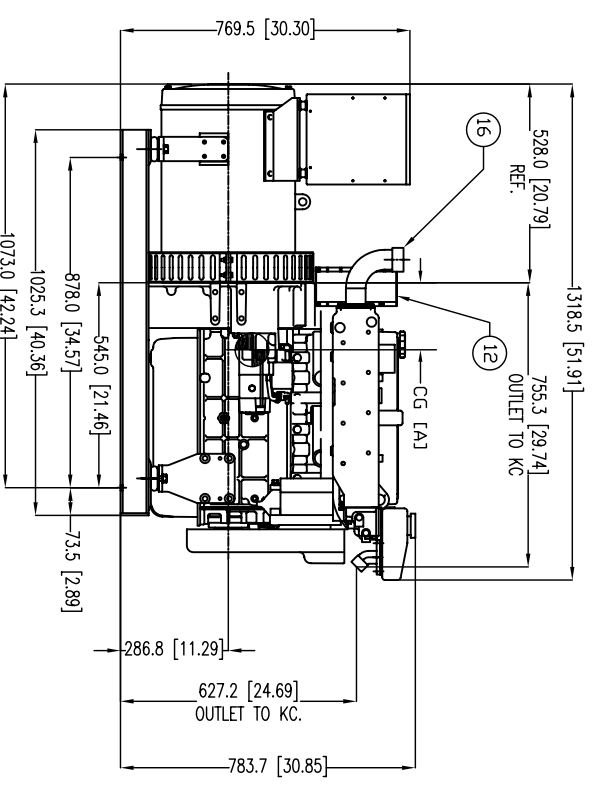
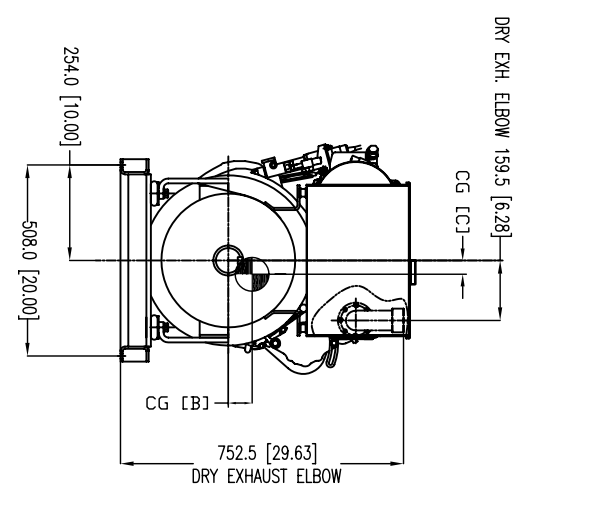
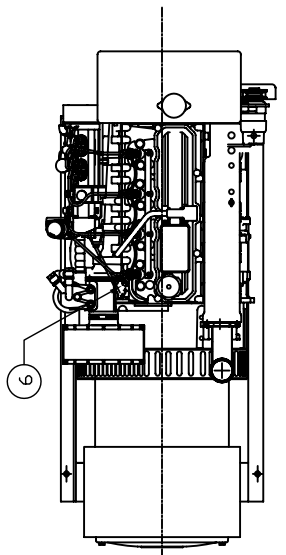
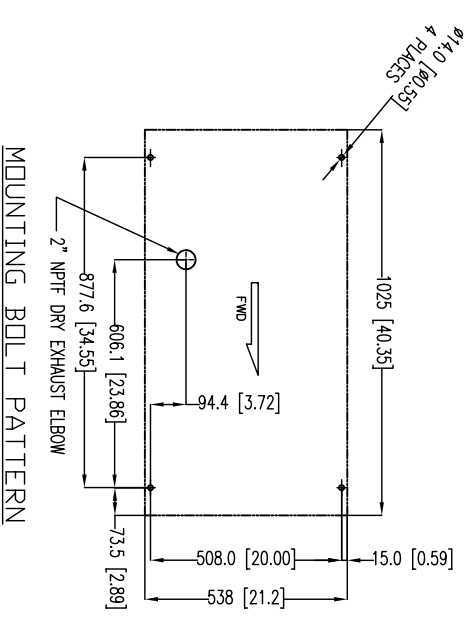


MODELS	APPROX WT. kg [lbs]	CENTER OF GRAVITY		
		A	B	C
M30CW 30KW 1800 RPM 60 HZ 3Ø	569KG [1255LB]	178.3 [7.02]	349.9 [13.77]	36.8 [1.45]
M30CW 30KW 1800 RPM 60 HZ 1Ø	569KG [1255LB]			

ITEM	DESCRIPTION	ITEM	DESCRIPTION
1	COOLANT FILL	9	FUEL RETURN 1/4"-37T JIC
2	EXPANSION TANK	10	FUEL INLET 5/16"-37T JIC
3	FUEL LIFT PUMP	11	OPTION: POWER TAKE OFF
4	OIL FILL	12	AR FILTER
5	FUEL FILTER	13	OUTLET TO KEEL COOLER 438mm [1.50m]
6	AR FILTER	14	INLET FROM KEEL COOLER 42mm [1.65in]
7	MOUNT CENTERBONDED	15	BELT GUARD (SHOWN WITH STANDARD ALTERNATOR)
8	OIL FILTER	16	DRY EXHAUST ELBOW 2.0" NPTF



THE DIMENSIONS ON THIS DRAWING ARE SUBJECT TO CHANGE. PLEASE CONTACT NOTHERN-LIGHTS TO BE SURE YOU HAVE THE MOST CURRENT REVISION.



**NORTHERN LIGHTS**  
 ENGINE SERVICES  
 4425 14th Avenue S.W.  
 Seattle, WA 98148  
 www.northernlights.com

INSTALLATION DIMENSIONS  
 M30CW K.C.  
 SHEET NO. D-4114

DRAWING NO. 06/20/08  
 SCALE 1/8" = 1"  
 SHEETS 1 OF 1