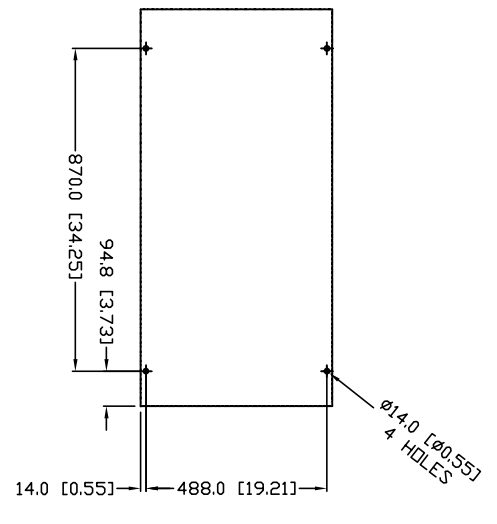


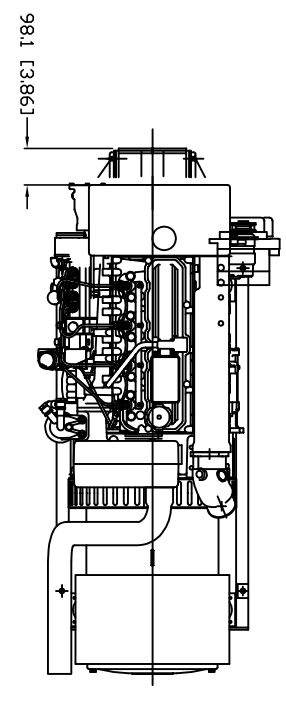
NOTE:
 1) CENTER OF GRAVITY VALUES
 DO NOT INCLUDE PTO/CLUTCH ASSEMBLY (ONLY).
 2) PTO ADAPTER/CLUTCH ASSY (ONLY) WEIGHTS
 APPROX. 65 lbs. (29.5 kg)
 3) CUSTOMER MUST RECALCULATE C.G. FOR ADDITION
 OF HYDRAULIC PUMP.

CENTER OF GRAVITY		
A	B	C
148mm [5.6in]	56mm [2.2in]	25mm [.98in]

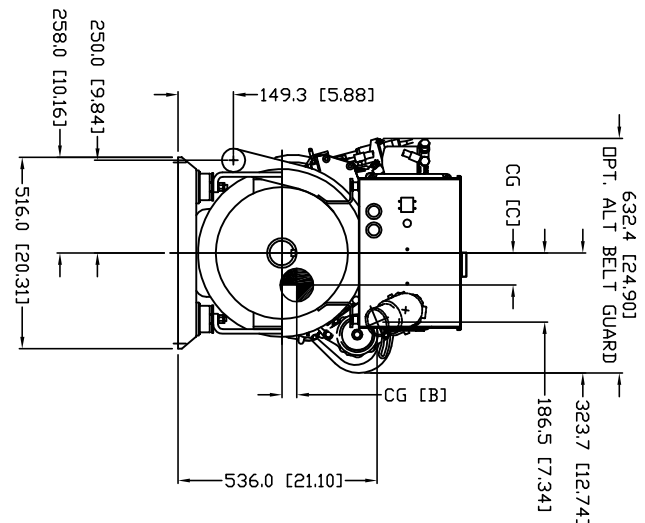
LEGEND	
ITEM	DESCRIPTION
1	COOLANT FILL
2	EXPANSION TANK
3	FUEL LIFT PUMP
4	OIL FILL
5	FUEL FILTER
6	INTAKE AIR FILTER
7	INTAKE AIR HOSE 2 1/4" O.D.
8	OIL FILTER
9	FUEL RETURN 1/4"
10	FUEL INLET 1/4"
11	RAW WATER PUMP
12	RAW WATER INLET 3/4" O.D.
13	HEAT EXCHANGER
14	BELT GUARD
15	WET EXHAUST ELBOW 3" O.D.
16	OPTIONAL PTO



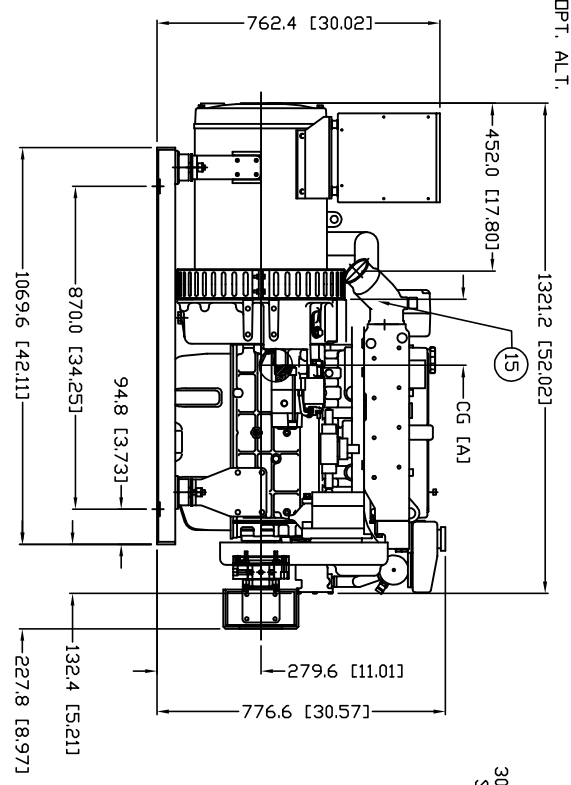
MOUNTING BOLT PATTERN



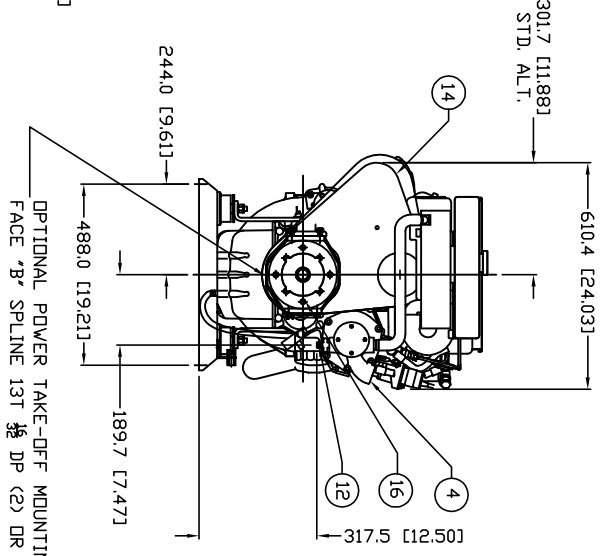
PLAN VIEW



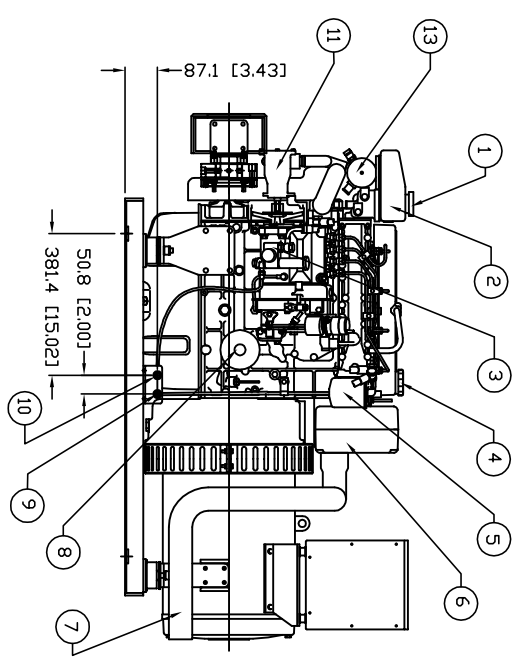
REAR VIEW



R.H. SIDE ELEVATION



FRONT VIEW



L.H. SIDE ELEVATION

OPTIONAL POWER TAKE-OFF MOUNTING
 FACE *B* SPLINE 1ST DP (2) OR (4) BOLT

EST. WEIGHT: 581kg. [1280lb.]



TOLERANCES UNLESS OTHERWISE SPECIFIED
 DEC: ±
 ANGULAR: ±
 HOLE: ±
 REVERSE ON CAD ONLY

REVISIONS

NO.	DATE	DESCRIPTION
1	01/17/02	INITIAL DIMENSIONS

INSTALLATION DIMENSIONS
 M944W
 PKG. NO. D-40891
 REV. A